

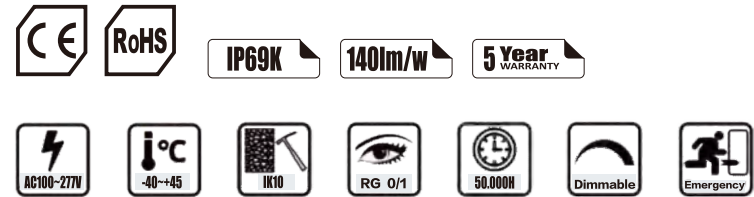
TUBU



IP69K Food Processing High Bay F10

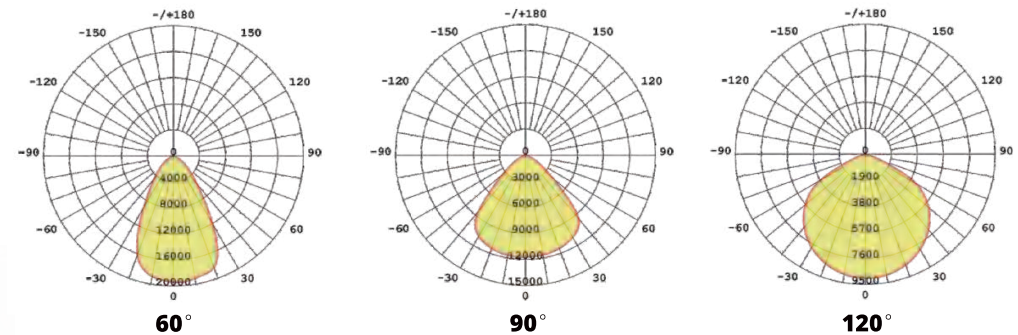
Features

- IP69K IK10
- High Output LED's up to 140lm/W standard, 160lm/W options
- CRI>70 standard (80/90 option)
- Isolated Driver with Overheat Protection, High PF>0.9, low THD, Flicker free
- Environmentally friendly, no mercury, No UV, No IR
- 60°/90°/120° beam angle
- Energy Efficiency Grade: A+++
- Quick Start instant 100% luminous flux
- 5 Year Warranty
- Certificate: CE, RoHS,
- Body: Aluminium alloy
- Stainless steel screws
- Options: 1-10V, DALI Dimming,



Applications

- Food Processing
- Beverage
- Garden centers
- Industrial facilities

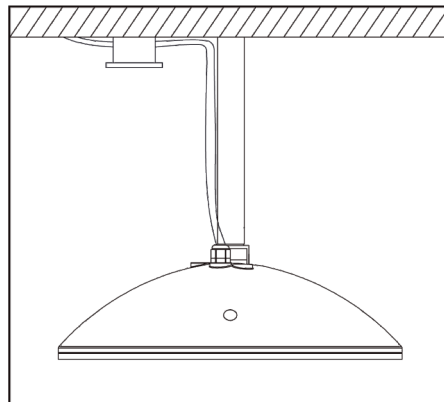
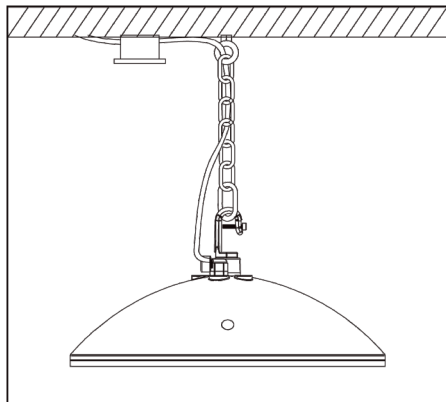
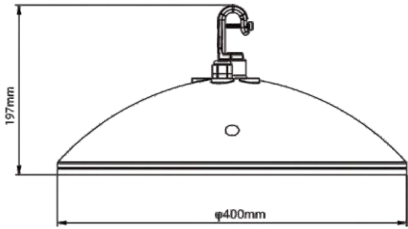


IP69K Food Processing LED High Bay

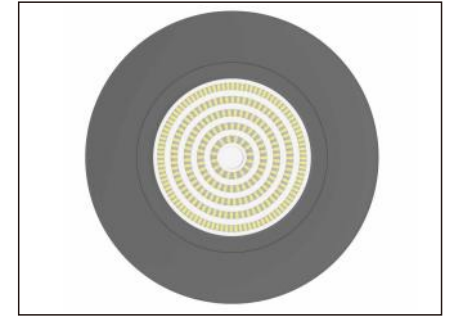
- IP69K IK10
- 100/W / 150/W,
- Against water pressure of 100bar(1450psi) and temperature of 80 C

TUBU

100W/120W/150W



IP69K Food Processing High Bay F10



Specifications

Product Code		TBF10-100W	TBF10-120W	TBF10-150W
Power		100W	120W	150W
Input Voltage		90-305VAC		
Input Current		0.47A	0.57A	0.68A
PF		>0.90		
Dimming		0-10V/Dali Dimming		
CCT		3000K/4000K/5000K/6000K		
Ra > 80 5000K	Luminous Flux	14000Lm±5%	16800Lm±5%	21000Lm±5%
	Efficiency	140Lm/W±5%		
Ra > 70 5000K	Luminous Flux	15000Lm±5%	18000Lm±5%	22500Lm±5%
	Efficiency	150Lm/W±5%		
LED Brand		3030		
Beam Angle		60°/90°/120°		
Operation Temp		-40 C ~ +45 C		
Storage Temp		-40 C ~ +85 C		
Life Span		Ta 45 C L70>54000Hours		
IP Class		IP69K		
IK Class		IK10		
Certificate		CE, RoHs		
Lamp Body Color		Gray (RAL9007)		
Product Size (mm)		400*400*197		
Net weight (kg) ±0.3		5.8		
Product Size (mm)		470*470*210		
Gross weight (kg) ±0.3		6.8		
Installation mode		Hook/Pendant Mount		