

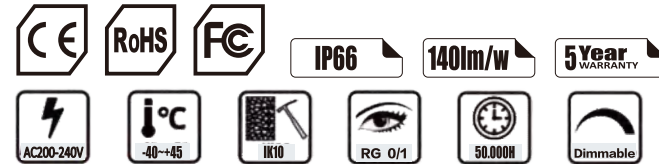
TUBU



LED Area Light F3

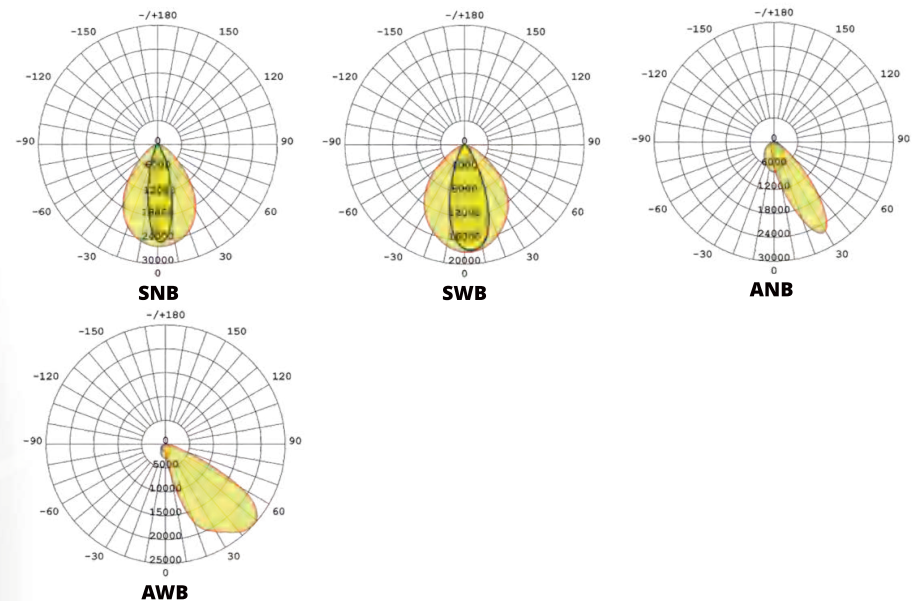
Features

- High Output LED's, up to 130~140lm/W
- Brand driver, High PF>0.96 low THD driver, Flicker free
- Environmentally friendly, no mercury, No UV No IR
- 4 Different Beam angle cover 90% application
- ANB: 32°x 84° Tilt 30°/AWB: 50°x88° Tilt 45°/ SNB: 25°x75°/ SWB: 36°x 88°
- IP66 protection rating; for indoor & outdoor use
- Energy Efficiency Grade: A+++
- Quick Start instant 100% luminous flux
- 5 Year Warranty on complete fixture. (LED's Driver & Housing)
- Certificate: CE, RoHS
- Body: Aluminium alloy
- Stainless steel screws
- Options: 0-10V/Dali Dimming



Applications

- Storage
- Billboard
- Sports Lighting
- Road Lighting
- Warehouse
- Any outdoor application

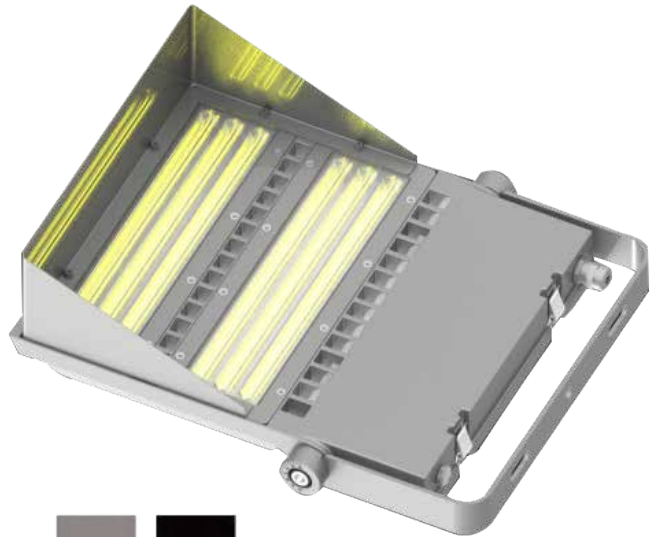


LED Area Light F3

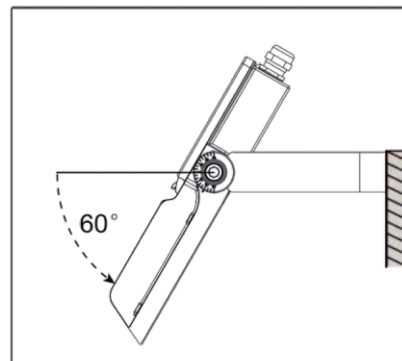
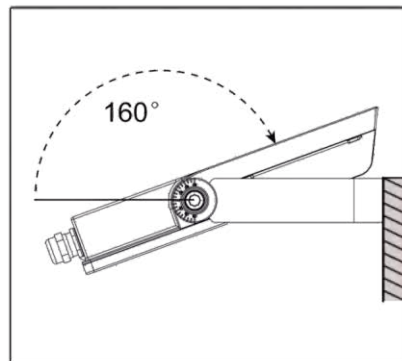
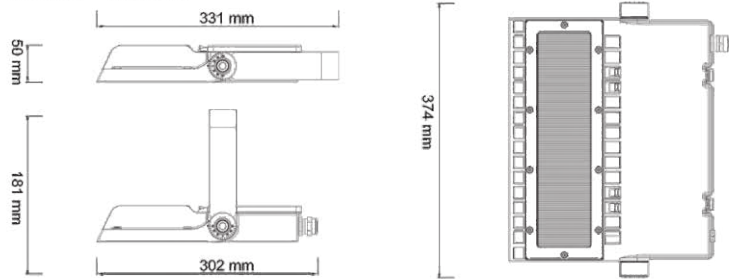
- Salt-Spray resistant
- Particular Optical lens with accurate angles

TUBU

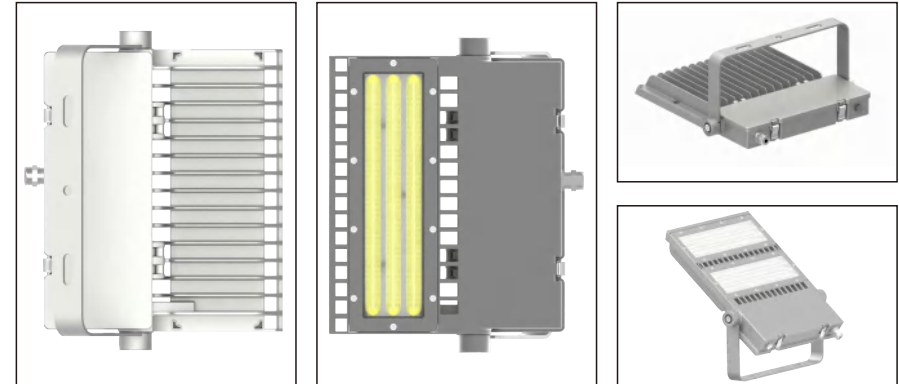
75W/100W/150W



RAL9007 **RAL9005**



LED Area Light F3

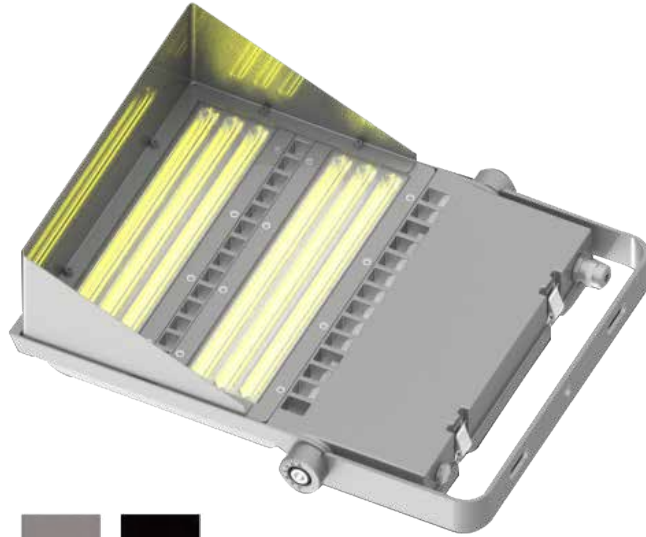


Specifications

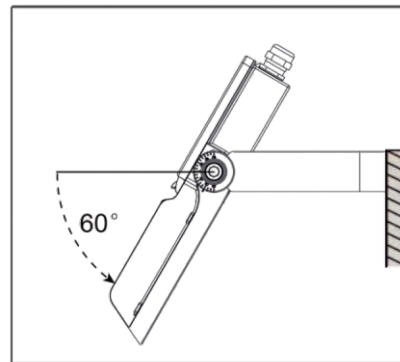
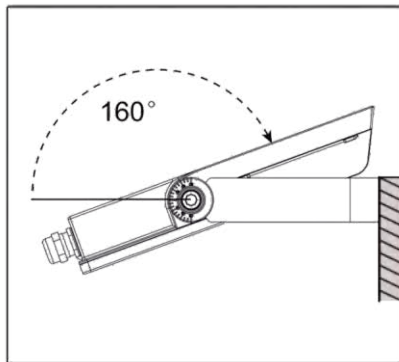
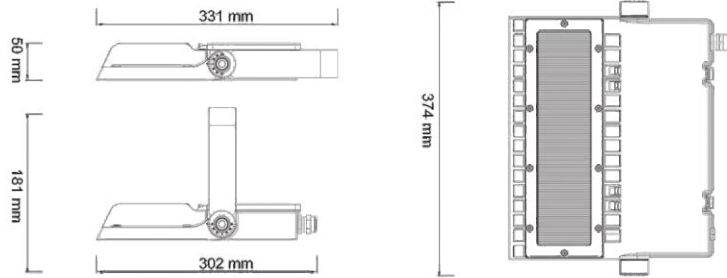
Product Code	TB-AL-75W	TB-AL-100W	TB-AL-150W	
Power	75W	100W	150W	
Input Voltage	200-240VAC/100-277VAC (50/60Hz)			
Input Current	0.34A@220VAC	0.45A@220VAC	0.68A@220VAC	
PF	>0.90@220VAC			
DC output voltage	48V			
DC output current	1.4A	1.9A	2.9A	
Dimming(Optional)	3 in 1 dimming (PWM, 0-10V, Resistor)- Dali			
CCT	3000K/4000K/5000K/6000K			
Ra > 80 5000K	Luminous Flux	9750Lm±10%	13000Lm±10%	19500Lm±10%
	Efficiency	130Lm/W±10%		
Ra > 70 5000K	Luminous Flux	10500Lm±10%	14000Lm±10%	21000Lm±10%
	Efficiency	140Lm/W±10%		
LED Brand	3030			
Light Type	Asymmetric and symmetric light			
Operation Temp	-40 C ~+45 C			
Storage Temp	-40 C ~+85 C			
Life Span	Ta 45 C L70>54000Hours			
IP Class	IP66			
IK Class	IK10			
Certificate	CE, RoHs,			
Lamp Body Color	Gray(default with RAL9007)- Black(optional for RAL9005)			
Product Size (mm)	331*374*50mm			
Net weight (kg) ± 0.1	4.58	4.63	4.76	
Packing Size (mm)	430*370*76mm			
Gross weight (kg) ± 0.1	4.98	5.03	5.16	
Total Size (mm) (2pcs)	445*328*390mm			
Total weight (2pcs) ± 0.2	20.68	20.88	21.4	
Installation mode	Bracket Mount			

TUBU

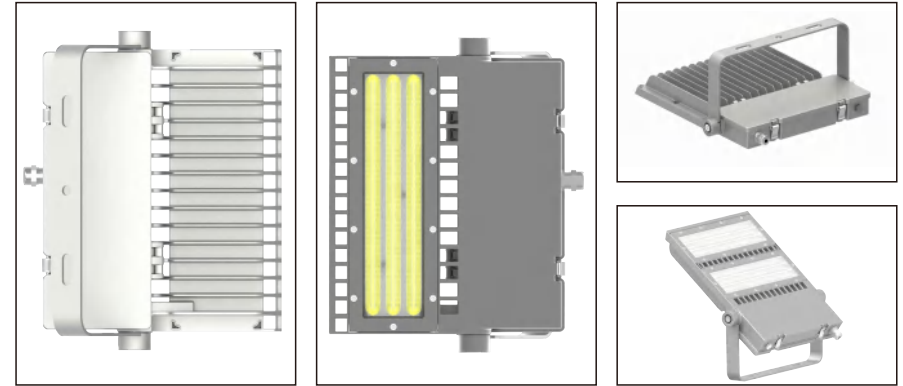
200W/240W



RAL9007 **RAL9005**



LED Area Light F3



Specifications

Product Code	TB-AL-200W	TB-AL-240W
Power	200W	240W
Input Voltage	200-240VAC/100-277VAC (50/60Hz)	
Input Current	0.91A@220VAC	1.1A@220VAC
PF	>0.90@220VAC	
DC output voltage	48V	
DC output current	3.9A	4.65A
Dimming(Optional)	3 in 1 dimming (PWM, 0-10V, Resistor) · Dali	
CCT	3000K/4000K/5000K/6000K	
Ra > 80 5000K	Luminous Flux	26000Lm±10%
	Efficiency	130Lm/W±10%
Ra > 70 5000K	Luminous Flux	28000Lm±10%
	Efficiency	140Lm/W±10%
LED Brand	3030	
Light Type	Asymmetric and symmetric light	
Operation Temp	-40 C ~ +45 C	
Storage Temp	-40 C ~ +85 C	
Life Span	Ta 45 C L70>54000Hours	
IP Class	IP66	
IK Class	IK10	
Certificate	CE, RoHs,	
Lamp Body Color	Gray(default with RAL9007) · Black(optional for RAL9005)	
Product Size (mm)	441*374*50mm	
Net weight (kg) ± 0.1	6.37	
Packing Size (mm)	500*415*76mm	
Gross weight (kg) ± 0.1	6.84	
Total Size (mm) (2pcs)	520*170*440mm	
Total weight (2pcs) ± 0.2	14.43	
Installation mode	Bracket Mount	