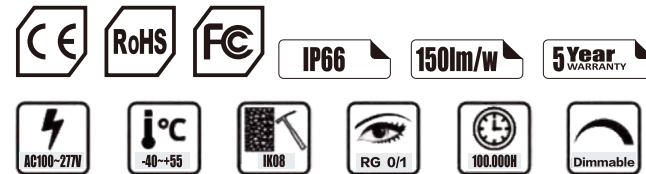


TUBU

LED High Mast Flood Light HMG1

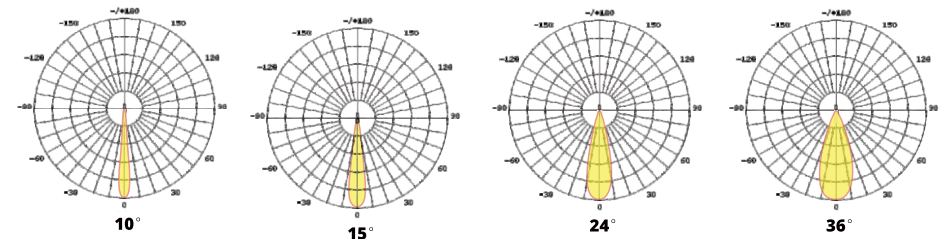
Features

- High Output LED's, up to 100~150lm/W
- Brand driver, High PF>0.96 low THD driver, Flicker free
- Environmentally friendly, no mercury, No UV No IR
- 11°/15°/24°/36°/AWB/ANB Beam angle
- IP66 protection rating; for indoor & outdoor use
- Energy Efficiency Grade: A+++
- Quick Start instant 100% luminous flux
- 5 Year Warranty on complete fixture. (LED's Driver & Housing)
- Certificate: CE, RoHS
- Body: Aluminium alloy
- Stainless steel screws
- Options: 0-10V/Dali



Applications

- High Mast
- Stock
- Sports Grounds
- Crushers
- Workshops
- Golf Courses
- Loading Docks
- Ports/Wharf

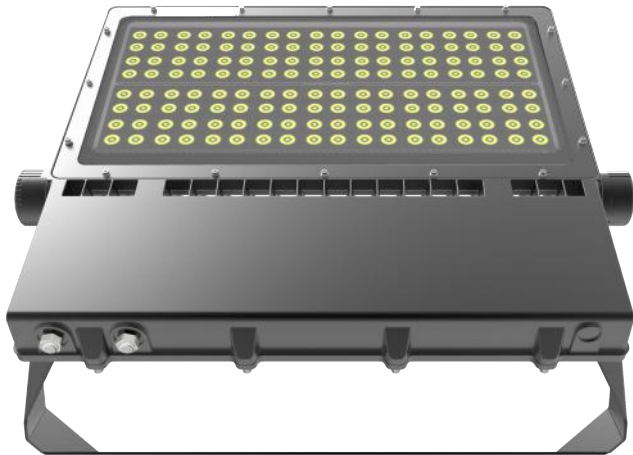


LED High Mast Flood Light HMG1

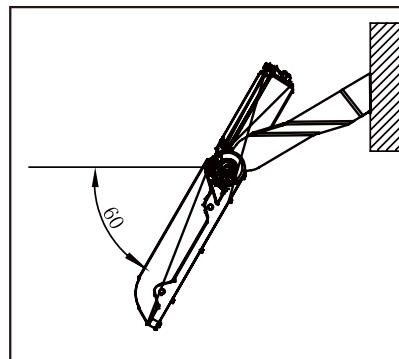
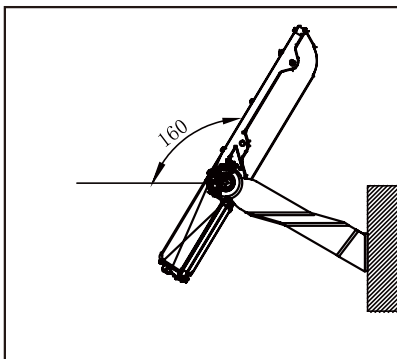
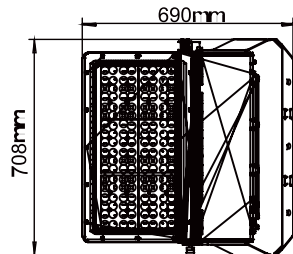
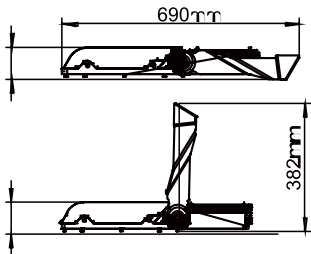
optimises the latest from TUBU's LED lighting technology to deliver the most powerful and robust flood light for heavy industrial applications

TUBU

350W/500W/600W



RAL9005



LED High Mast Flood Light HMG1



Specifications

Product Code		TBHMGI-350W	TBHMGI-500W	TBHMGI-600W
Power		350W	500W	600W
Input Voltage		90-305VAC/200-480VAC		
Input Current		1.59A@220VAC	2.27A@220VAC	2.73A@220VAC
PF		>0.90@220VAC		
Dimming(Optional)		3 in 1 dimming (PWM, 0-10V, Resistor), Dali		
CCT		2700K-6500K		
Ra > 80 5000K	Luminous Flux	35000Lm±10%	50000Lm±10%	60000Lm±10%
	Efficiency	100Lm/W±10%		
Ra > 70 5000K	Luminous Flux	52500Lm±10%	75000Lm±10%	90000Lm±10%
	Efficiency	150Lm/W±10%		
LED Brand		3030		
Light Type		10°, 15°, 24°, 36°		
Operation Temp		-40°C ~ +50°C		
Storage Temp		-40°C ~ +85°C		
Life Span		Ta 50°C L70>54000Hours		
IP Class		IP66		
IK Class		IK08		
Certificate		CE, RoHS		
Lamp Body Color		Black (RAL9005)		
Product Size (mm)		690*708*94mm		
Net weight (kg) ± 0.3		23		
Packing Size (mm)		800*800*150mm		
Gross weight (kg) ± 0.3		25.6		
Installation mode		Bracket Mount		