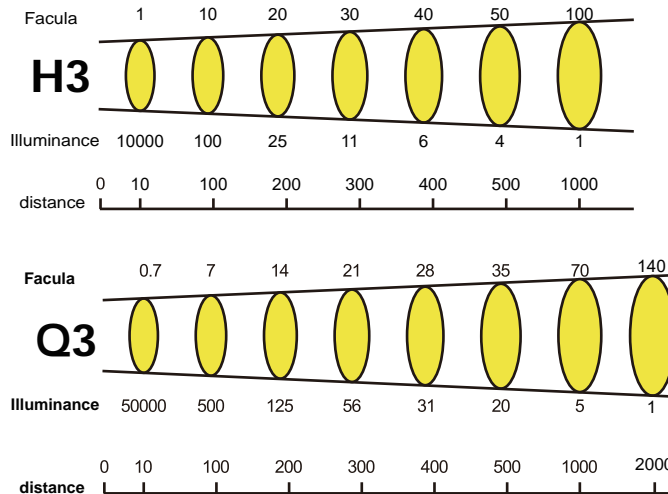


Features

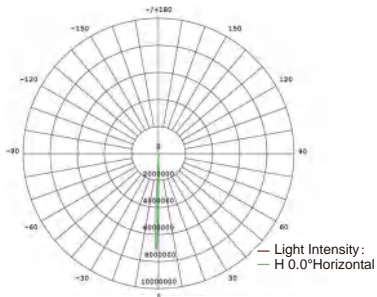
- Protection class: IP66
- Power: 240W / 300W available
- Luminous flux: $\geq 10000\text{Lm}$
- Irradiation distance: $\geq 2000\text{M}$ (1LUX)
- Beam angle: $3.5^\circ / 2.5^\circ$
- Slip-rings provide continuous 360° horizontal rotation with no stop points
- Auto-return to home position
- Auto-scan with user programmability
- Advanced proportional-speed control
- Approved for temperatures down to -35°C and up to $+55^\circ\text{C}$
- Materials: marine grade aluminum and stainless steel with salt-resistant powder coat finish
- Lower power consumption: LED's consume 75% or more less power than Halogen lamps
- Longer life: LED's last tens-of-thousands of hours compared to approximately 250 to 750 hours depending upon the Halogen lamp. This reduces lamp replacement costs, increases reliability



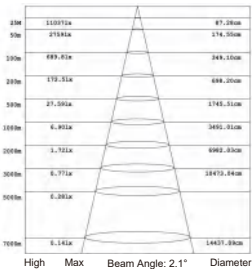
Applications

- National defense
- Marine
- Military
- Water conservation
- Expedition and oil field
- Wharf
- Large surface warship
- Maritime search and rescue

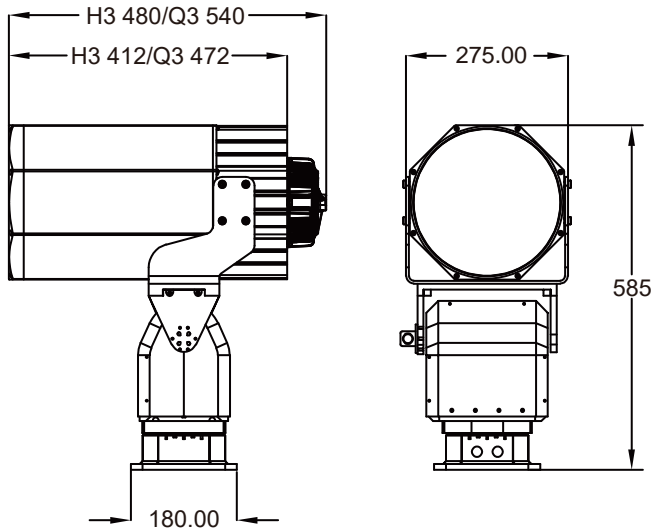




Average beam angle (50%): 2.1°



Note: The curve is the illumination area and the average illuminance in the area of the lamp under different projection distances



Specifications

Model	TB-SL240WCH3	TB-SL300WCH3	TB-SL240WAQ3	TB-SL300WAQ3
Light Information	Light Source	LED	LED	LED
	Power Consumption	240W	300W	240W
	Color Temperature	6500K		
	Input Voltage	AC100 ~ 277V (50/60Hz)		
	Working Temperature	-35°C ~ +55°C		
	IP Rating	IP66		
	Lifespan	>30,000 hours		
	Beam Angle	3.5°	3.5°	2.5°
	Beam Distance	≥1000m (1LUX)	≥1000m (1LUX)	≥2000m (1LUX)
	Housing Material	1070 Pure aluminum cold forging, with salt-resistant, scratch-resistant white powder coat finish		
Weight	25Kg	40Kg	25Kg	
Cloud Platform (Optional)	Adjustable Speed	Horizontal: 0.1° ~ 25°/S, vertical 0.1° ~ 15°/S		
	Adjustable Angle	Horizontal: 0° ~ 180° or 0° ~ 360°, vertical +30° ~ -30°, or customizable		
	Preset Position	200pcs		
	Repeated Positioning Accuracy	±0.2°		
	Communication Protocol	Pelco-D, Pelco-P for option		
	Communication Baud Rate	2400 / 4800 / 9600 / 9200 bps for option		
	Communication Interface	RS485 / RS422		
Power	/	60W	/	60W