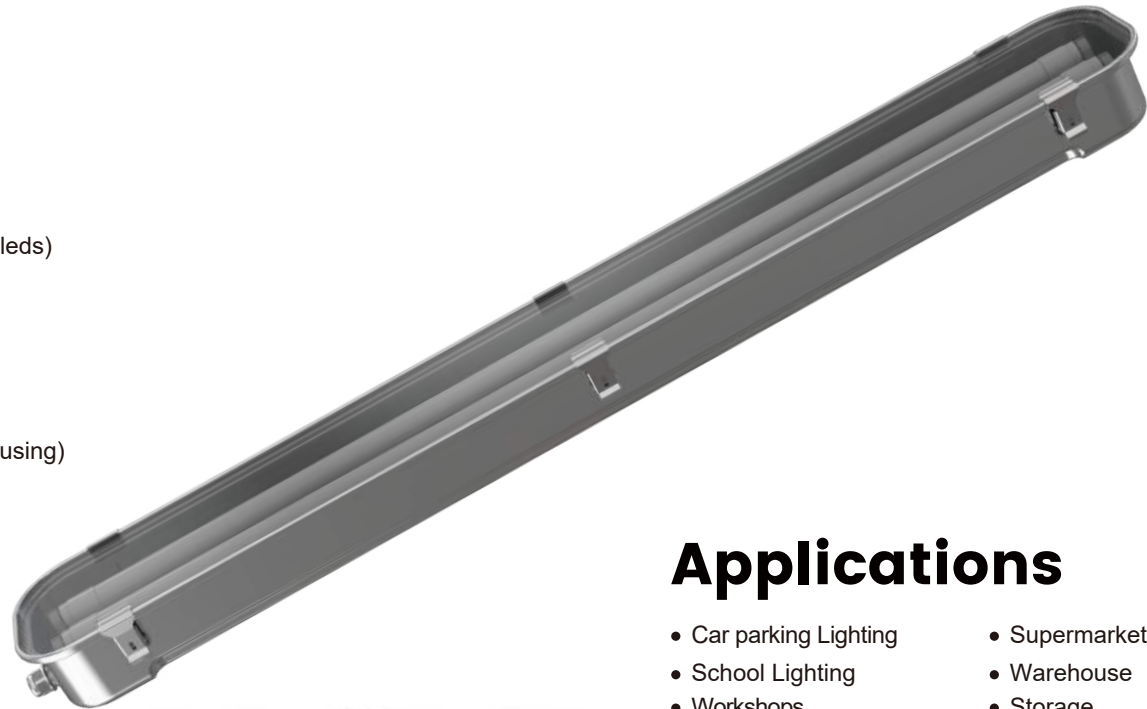


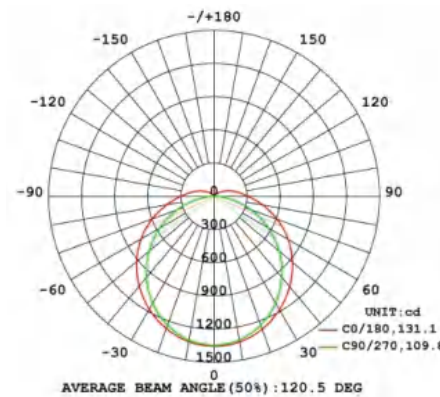
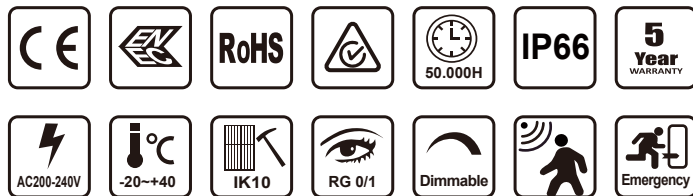
Features

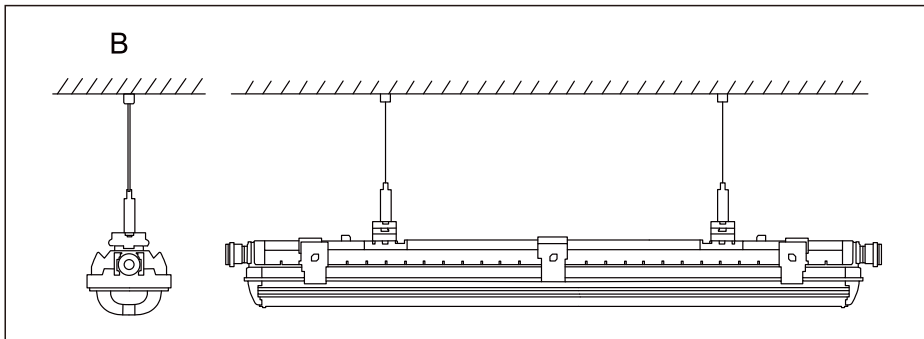
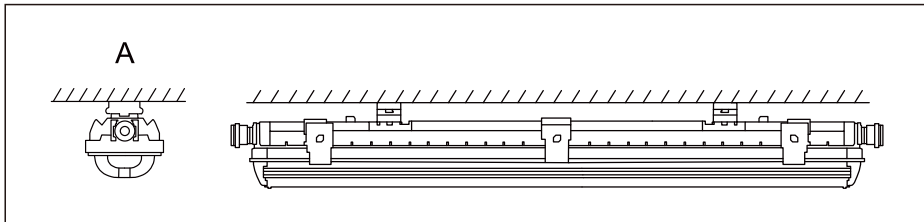
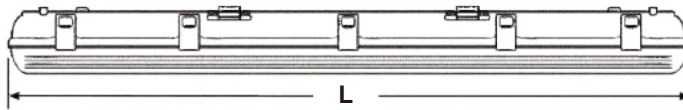
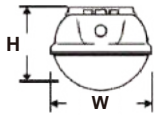
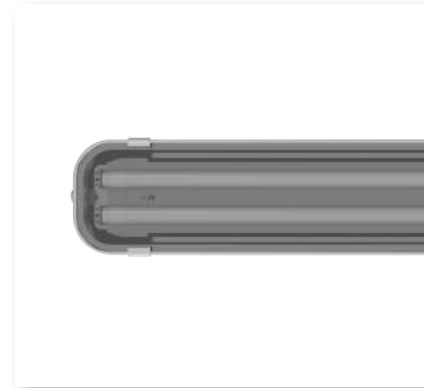
- IP65
- IK07
- Stainless steel clips
- Boke isolated flicker free driver
- 130Lm/W system efficiency, CRI>80 (Honglitrionic brand leds)
- tempered glass, metal bottom shell
- Self-test emergency with LiFePO4 battery optional
- Microwave sensor options (wireless control)
- Ambient temperatures: -20°C to + 40°C
- Options: 0-10V, Motion Sensor, DALI, Emergency
- 5 years warranty on complete fixture (LED's, Driver & Housing)
- Certificate: CE, RoHs Certified
- Surface Mount or Suspension Mount



Applications

- Car parking Lighting
- School Lighting
- Workshops
- Supermarket
- Warehouse
- Storage





Specifications

Product Code	TBL10H12F-18W	TBL10H14F-36W	TBL10H15F-50W	TBL10H15F-60W
Power	18W	36W	50W	60W
Input Voltage	200-240VAC/100-277VAC (50/60HZ)			
PF	0.90@220VAC			
Dimming Option	0-10V/Dali			
CCT	2700K / 3000K / 4000K / 5000K / 5700K / 6000K / 6500K			
Luminous Flux	2340Lm	4680Lm	6500Lm	7800Lm
Efficiency	130Lm/W±5% (Ra>80)			
LED Brand	Lumileds / Hongli 2835			
Beam Angle	120°			
Operation Temp	-20°C~+40°C			
Storage Temp	-20°C~+60°C			
Life Span	Ta 40°C L70>54000 hours			
IP Class	IP65			
IK Class	IK07			
Certificate	CE, RoHS			
Lamp Body Color	tempered glass, metal bottom shell			
Product Size (mm)	700*140*90	1300*140*90	1600*140*90	1600*140*90
Packing Size (mm)	750*195*145	1350*195*145	1650*195*145	1650*195*145
Quantity / Carton	1PCS	1PCS	1PCS	1PCS
Gross Weight (kg) ±0.3	3.6	5.4	7.3	7.3
Installation Mode	Surface mount / Suspension mount			