

## IP66 LED Commercial light L2

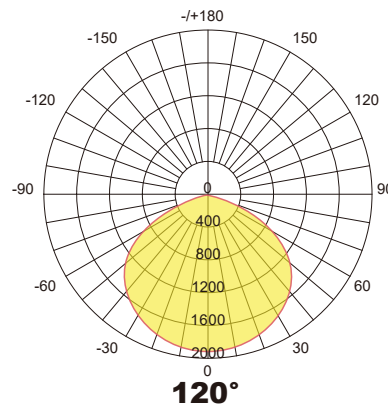
### Features

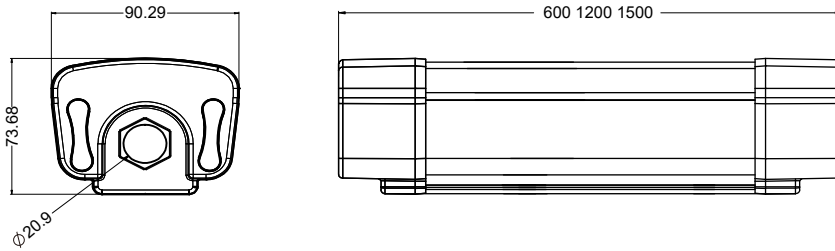
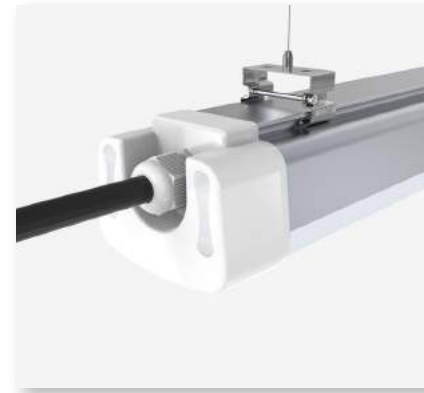
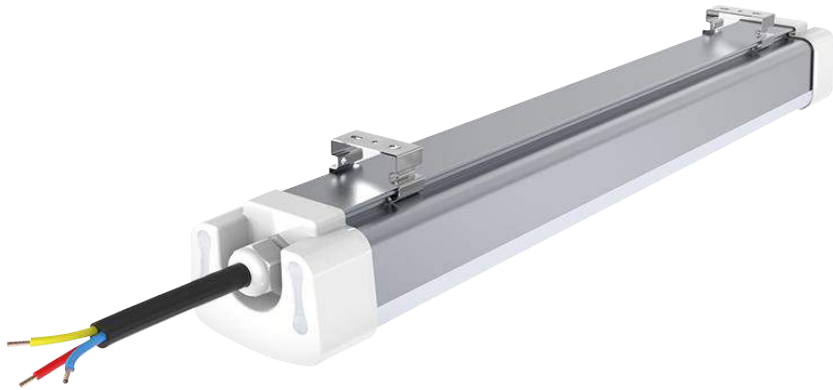
- IP66
- IK10
- Temperature of Operation:  $-20^{\circ}\text{C} \sim +40^{\circ}\text{C}$ ; storage:  $-30^{\circ}\text{C} \sim +60^{\circ}\text{C}$
- System efficiency up to 140Lm/W & 160Lm/W
- High CRI>80
- Environmentally friendly, no mercury, no UV, no IR
- Wide beam angle 120°
- Energy efficiency Grade:C
- Quick start instant 100% luminous flux
- 5 years warranty on complete fixture (LED's, Driver & Housing)
- Certificate: CE, RoHs Certified
- Surface Mount or Suspension Mount



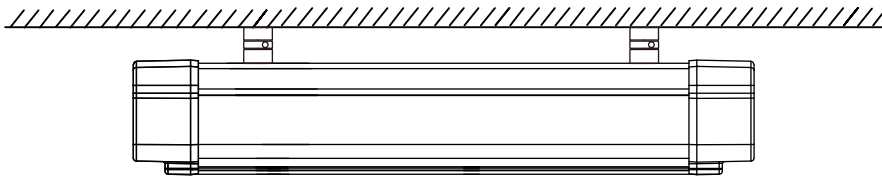
### Applications

- Office
- Supermarket
- Hotel
- Hospital
- Laboratory
- Conference room
- Warehouse
- Class room
- Pantry
- Library
- Ticket office
- Waiting hall

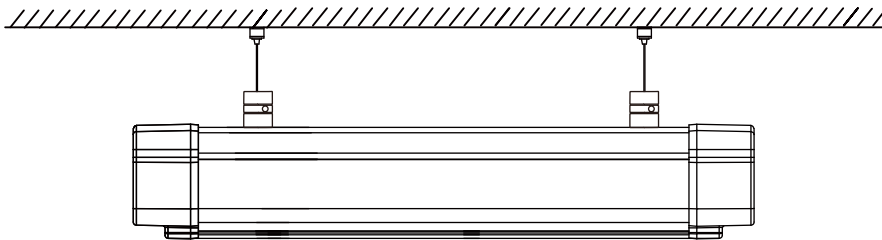




**Surface Mount**



**Suspension Mount**



## Specifications

Product Code	TBL2-2F-30W	TBL2-4F-60W	TBL2-5F-80W
Power	30W	60W	80W
Input Voltage	AC100-240/277V 50/60Hz		
Input Current	0.15A@220VAC	0.3A@220VAC	0.4A@220VAC
PF	PF > 0.9		
Dimming Option	0-10V / DALI		
CCT	2700K / 3000K / 4000K / 5000K / 5700K / 6000K / 6500K		
Luminous Flux	4200Lm	8400Lm	11200Lm
Efficiency	140Lm/W±5%		
Luminous Flux	4800Lm	9600Lm	12800Lm
Efficiency	160Lm/W±5%		
LED Brand	Lumileds / Hongli 2835		
Beam Angle	120°		
Operation Temp	-20°C~+40°C		
Storage Temp	-20°C~+60°C		
Life Span	50000 hours		
IP Class	IP66		
IK Class	IK10		
Certificate	CE, RoHS, IK10		
Lamp Body Color	Milky PC Housing		
Product Size (mm)	Ø600*90.3*73.7mm	Ø1200*90.3*73.7mm	Ø1500*90.3*73.7mm
Packing Size (mm)	640*205*170mm	1240*205*170mm	1540*205*170mm
Quantity / Carton	4PCS	4PCS	4PCS
Gross Weight (kg) ±0.3	9	15	18
Installation Mode	Surface mount / Suspension mount		